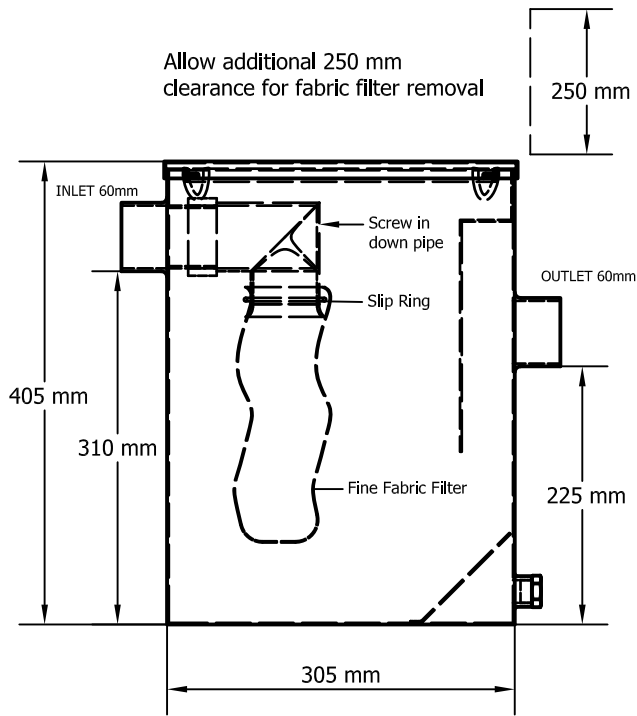
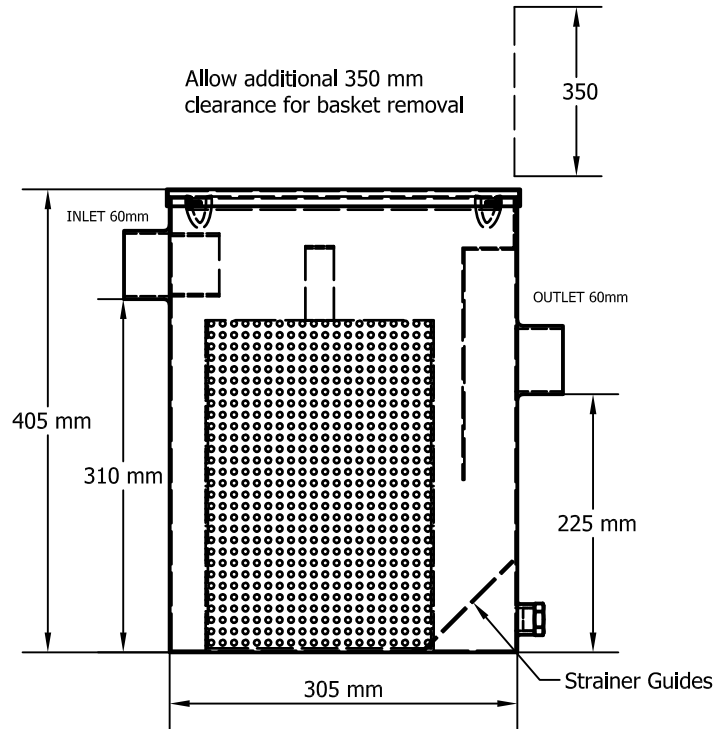


ST8 Food Guardian - 3 Way Multibox Specifications

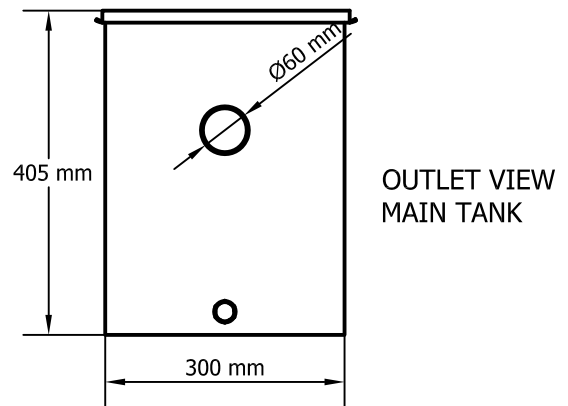
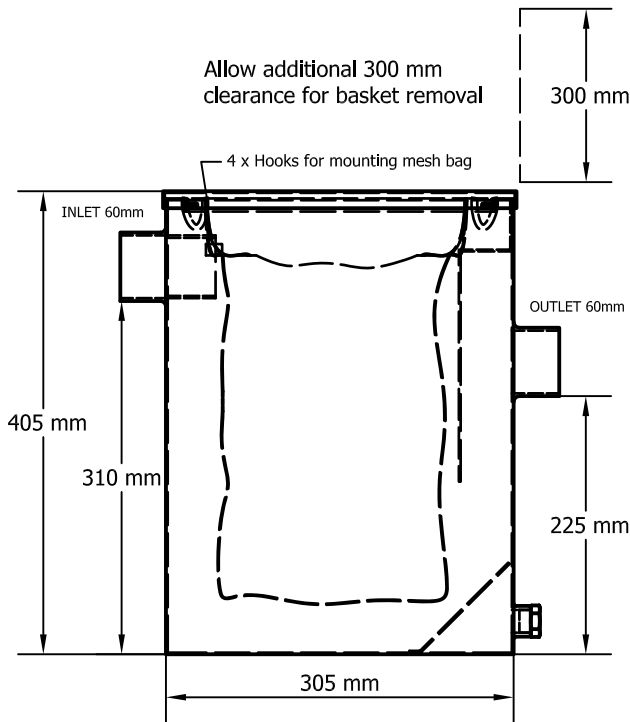
1. SIDE PROFILE - COFFEE FILTER VERSION. COFFEE GROUND WASTE



2. SIDE PROFILE - STRAINER BASKET VERSION FOR FOOD WASTE PARTICLES. (FILTER SOCK AND SCREW IN DOWN-PIPE REMOVED)



3. SIDE PROFILE - MESH BAG VERSION, FINER FOOD PARTICLES



PRODUCT CHARACTERISTICS

	TANK	FILTER	STRAINER	MESH BAG
MATERIAL	STAINLESS STEEL, 304, 18 GAUGE	ELASTHAN	STAINLESS STEEL, 3MM PERFORATIONS	NYLON, 0.5MM PERFORATIONS
CAP.	-	2 KG	8 KG	8 KG

MAINTENANCE NOTES:

1. COFFEE GROUND WASTE VERSION

FINE FABRIC FILTER IS TO BE REMOVED WHEN IT EXPANDS TO TWICE ITS NORMAL WIDTH OR WHEN THE KITCHEN SINK DRAINAGE FLOW RATE APPEARS REDUCED. REMOVE MAIN LID LIFT AND PUSH THE INTERNAL SLIP RING UPWARDS TO RELEASE FILTER FROM THE DOWN-PIPE. DISPOSE BOTH FILTER AND CONTENTS TO FOOD WASTE BIN. REPLACE NEW FILTER BY SLIDING THE SLIP RING BACK OVER ITS NECK LINING

2. FOOD WASTE BASKET VERSION

STEEL BASKET IS TO BE REMOVED WHEN 3/4 FULL. REMOVE LID. LIFT OUT BASKET AND DISPOSE OF CONTENTS TO FOOD WASTE BIN. BEFORE REPLACING BASKET ENSURE BASKET PERFORATIONS ARE CLEAR BY SPRAY CLEANING EXTERIOR SIDE OF MESH.

3. MESH BAG VERSION

BAG IS BE REMOVED WHEN 3/4 FULL. REMOVE LID. LIFT OUT BAG AND DISPOSE OF WASTE CONTENTS TO FOOD WASTE BIN. BAG IS RESUAABLE ONLY IF MESH CAN BE CLEANED OF FOOD PARTICLES. (FOR EXAMPLE LIGHTER VEGETABLE PEELS, HAIR, OR FISH SCALES. OTHERWISE REPLACE NEW BAG IF REQUIRED.

INSTALLATION ADVICE

ST8 SYSTEM SHOULD BE CONNECTED TO SINK WASTE PIPES OF DN 50 USING THE RUBBER COUPLINGS AS PROVIDED. ENSURE A GRAVITY FALL OF 1:100 MININALLY IS MAINTAINED BEFORE INLET AND AFTER OUTLET. THIS SYSTEM CAN BE CONNECTED UPSTREAM OF MODELS D1 & D2 GREASE GUARDIANS

NOTE: A LOW LEVEL POSITION OUTLET IS OPTIONAL FOR THIS SYSTEM ON REQUEST